

Exhaust system 2703

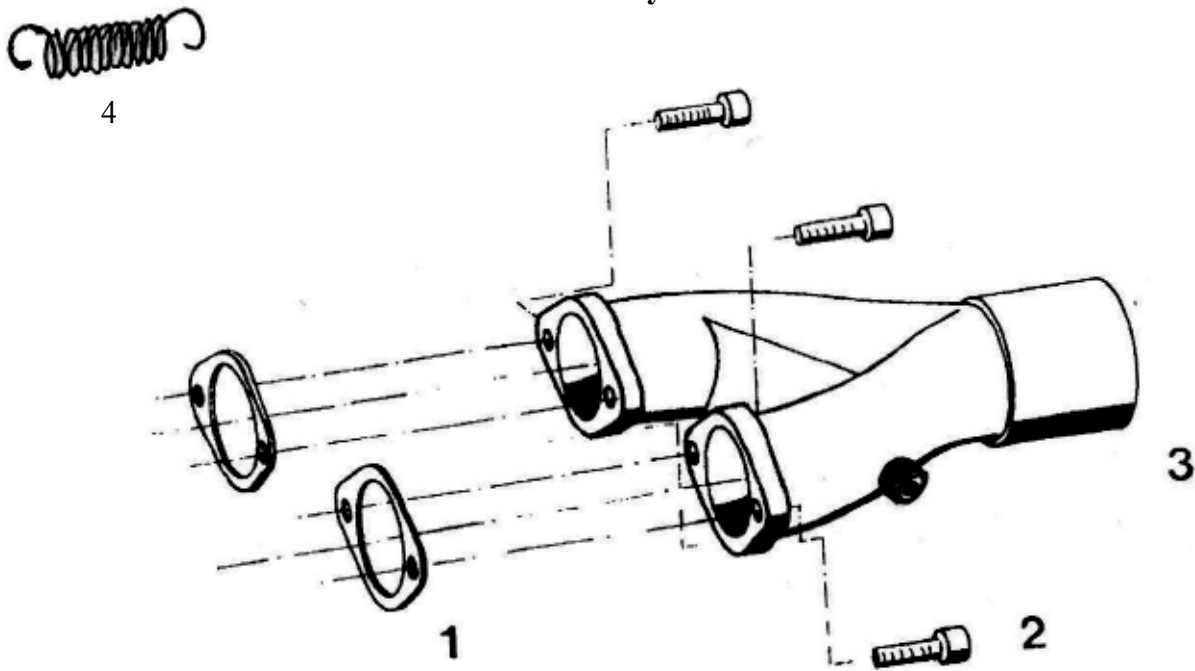


Fig. No.	Quantity	Designation	Part No.	Neoteric Part No	Remark
1	2	Exhaust gasket	268 A4	5245	
2	4	Cylinder screw	DIN 912 M8x20	2288	Md = 23...26 Nm
3	1	Exhaust manifold	278 A1U	5548	Prepared for temperature meas.
4	4	Exhaust Spring	054.1	5421	
-	2	M8x1x10 SHCS		6934	Removed from EGT Holes (not in sketch)

Form 17120