

### Exhaust system 2703

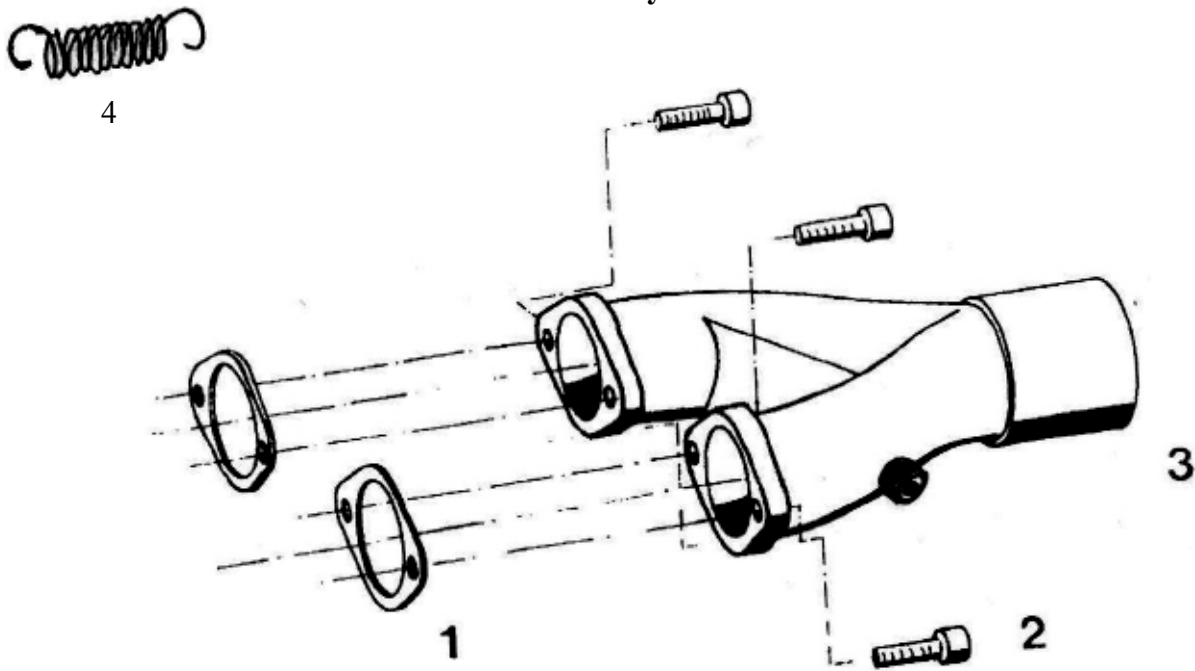


Fig. No.	Quantity	Designation	Part No.	Neoteric Part No	Remark
1	2	Exhaust gasket	268 A4	<b>5245</b>	
2	4	Cylinder screw	DIN 912 M8x20	<b>2288</b>	Md = 23...26 Nm
3	1	Exhaust manifold	278 A1U	<b>5548</b>	Prepared for temperature meas.
4	4	Exhaust Spring	054.1	<b>5421</b>	
-	2	M8x1x10 SHCS		<b>6934</b>	Removed from EGT Holes (not in sketch)

Form 17120