

Carburetor / Fuel mixture 3203

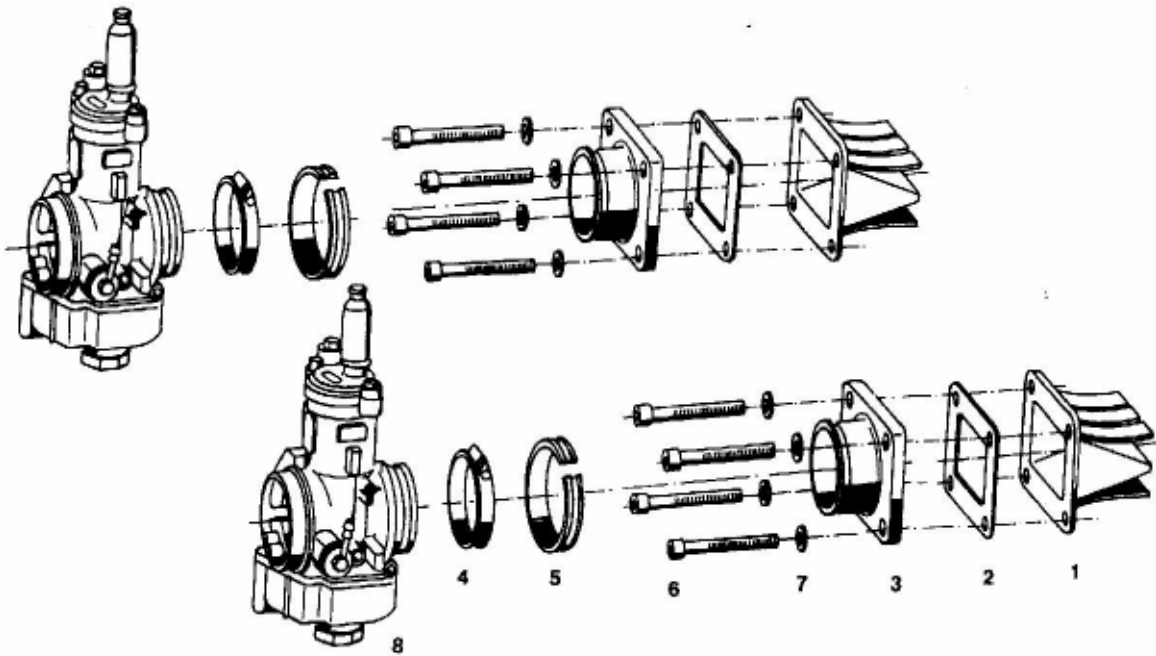


Fig No.	No.	Designation	Ref. No.	Neoteric Part No	Note
1	2	Reed valve	058.9		
2	2	Gasket	327 A3	5463	
3	2	Intake manifold/carb flange	327 A2	6568	
4	2	Hose clamp	063.6/10		
5	8	Rubber	056.7/150		.9mm
6	8	Cylinder screw	D912 M6x40		Md=9,6...11 Nm, Loctite 243
7	2	Washer	D125 B6,4	6916	
8	2	Carburetor	PHBE34BD3 BD8	5355	Dellorto
9	2	Protective stopper	083.8		Not shown
10		Rubber cap/nipple cover	083.18		Not shown

Form 17286