

## Ignition lighting system single ignition 2703

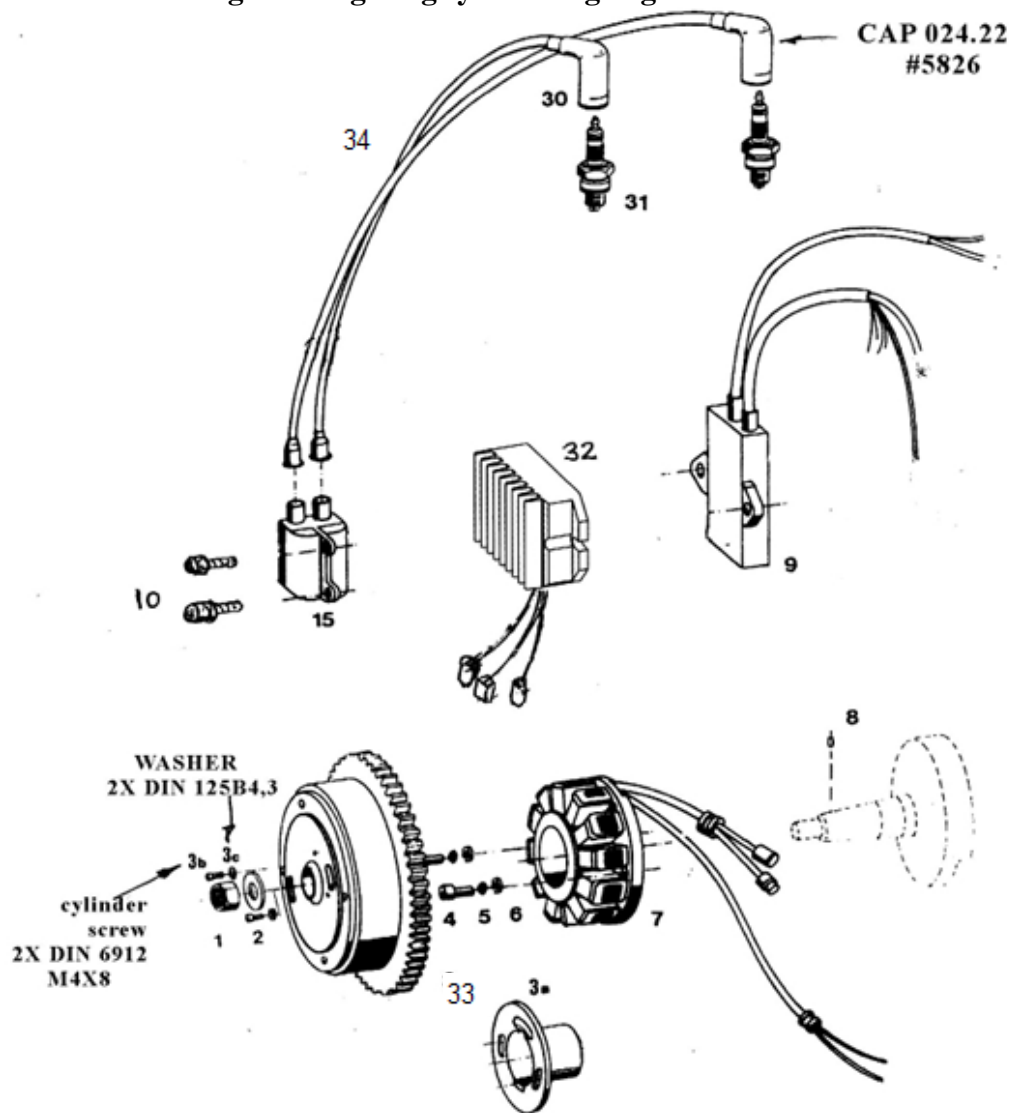


Fig. No.	Qty.	Designation	Part No.	Neoteric Part No	Remark
1	1	Hexagon head nut	DIN 985 M16x1,5	<b>6939</b>	Md=140-150 Nm
2	1	Washer	161 A6		
3	1	Flywheel with gear ring	021.43/2		
4	2	Cylinder screw	DIN 912 M5x20		
5	4	Washer	212 A5	<b>5994</b>	
6	1	Washer	DIN 125 B5,3	<b>6936</b>	Md=4-4,5 Nm
7	1	Stator plate complete	021.43/1	<b>5591</b>	
8	1	Flywheel alignment pin	DIN 7 4m6x6		
9	1	CDI - Box	021.43/6	<b>5664</b>	Mounted with silicone
10	2	Coil Mounting Screw	M6XP1X12 SHC SS	<b>2469</b>	Included in item 15
15	2	Ignition coil	021.41/3/2	<b>5682</b>	
30	2	Ignition cable, complete	274 BA10U	<b>5827</b>	
31	1	Spark plug Denso	023.29	<b>5668</b>	W24 FSR - U10
32	1	VAPE R82 DC Regulator 14V	029.8	<b>5338</b>	5641
33		Magnet Support	021.41/20	<b>5724</b>	
34	1	Spark plug lead, short		<b>5666</b>	
34	1	Spark plug lead, long		<b>5665</b>	
34	1	Spark Plug lead set		<b>5661</b>	Includes plug boots