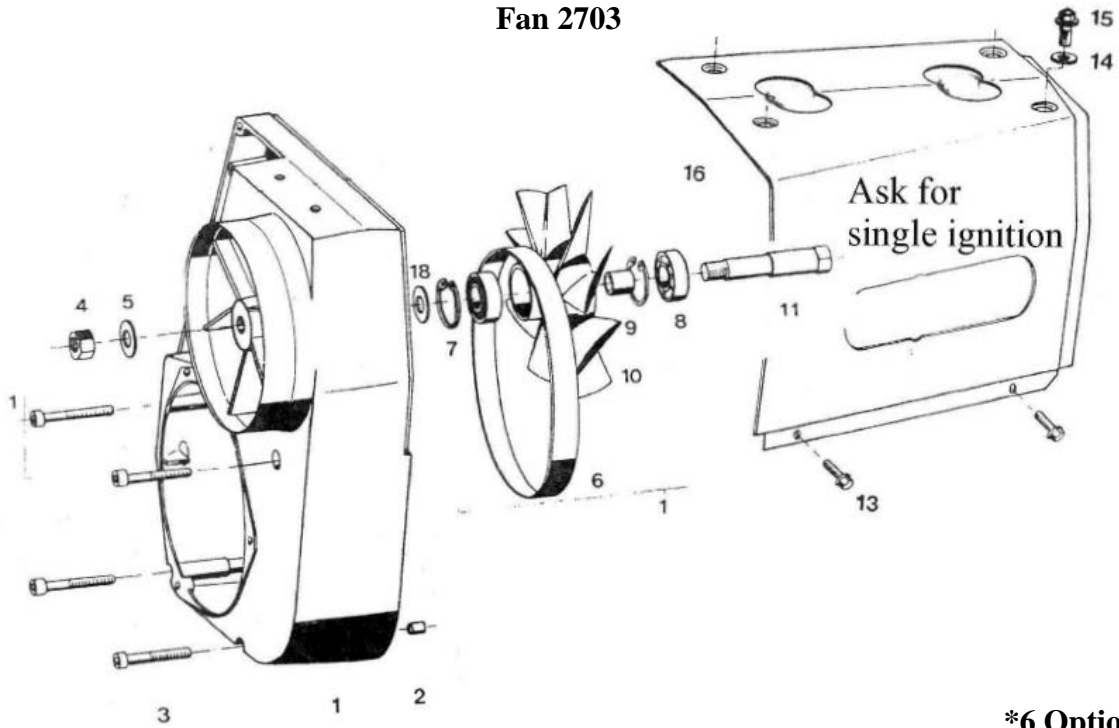


Fan 2703



*6 Optional Polyflex belt
**10 Optional Poly V Fan Wheel

Fig. No.	Quantity	Designation	Part No.	Neoteric Part No	Remark
1	1	Fan housing, complete	273 BC1U		Incl. Pos. 4, 5, 6, 7, 8, 9, 10, 11
2	3	Adapter sleeve	DIN 7346 8x10		
3	4	Cylinder screw	DIN 912 M6x45	3258	Md = 9, 6...11 Nm
4	1	Hexagon head nut	DIN 985 M12x1,5	5885	Md = 27...30 Nm
5	1	Washer	DIN 125 B13-St	6856	
-	1	Fan wheel, complete	273 AB1U	3408	Incl. Pos. 8, 9, 10, 7
6*	1	Flat belt	043.4/5	3409	Ask for single ignition parts
6*					
7	2	Locking ring	DIN 472 32x1,2		
8	2	Deep groove ball bearing	DIN 625 6002 2RS/C3	6887	
9	1	Bushing	263 A6		
10**	1	Fan wheel, Flat	273 AB2U	3408	
10**		Fan wheel, Poly-V		6391	
11	1	Eccentric shaft	263 A7	6857	
13	2	Thread screw	050.8/2	5997	
14	4	Washer	DIN 9021 B6,4	5996	
15	4	Thread screw	050.8/2	5997	
16	1	Air guide cowl	273 J3U	5346	
18	1	Washer	DIN 988 S 13x19x1.5		