

Crankshaft 2703

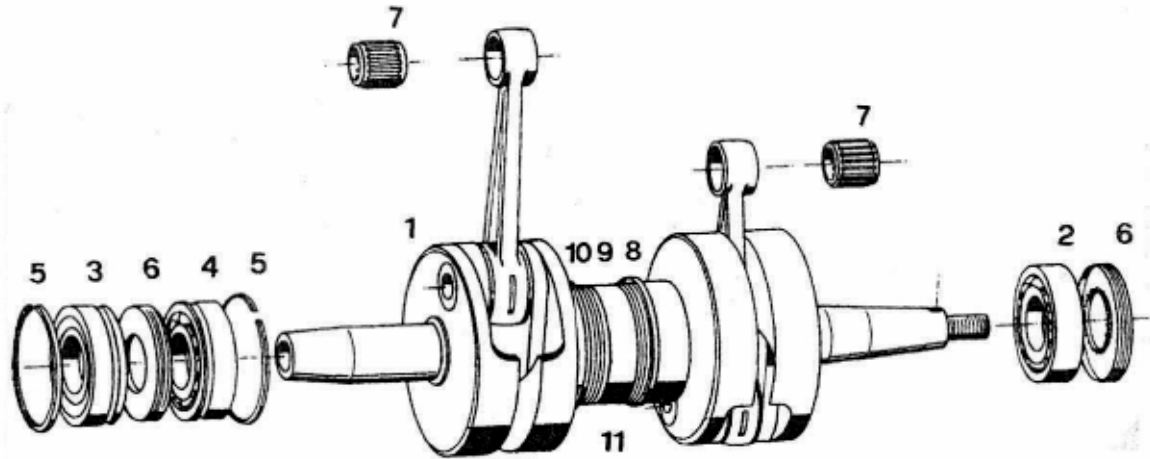


Fig. No.	Quantity	Designation	Part No.	Neoteric Part No.	Remark
1	1	Crankshaft, complete	271 AA1U		Incl. Pos. 8, 9, 10, 11
2	1	Deep groove ball bearing	DIN 625 6206	5460	
3	1	Deep groove ball bearing	DIN 625 6206-2RS-N/C3	5461	
4	1	Deep groove ball bearing	DIN 625 6206-N/C3	5462	
5	2	Retaining ring	DIN 5417 Sp 62		
6	2	Shaft sealing ring	055.24/1	5453	
7	2	Needle cage	046.15	5464=white 6082=yellow 6083=red	Please indicate color dot on con rod when ordering - see note below.
11	1	Space ring	321 A6		Assemble after installation of the crankshaft Note: There are 3 different size piston pin needle bearings. Before ordering check con rod for color paint dot. This color code must be known when ordering. If unable to obtain color code measure rod eye to within 1000th of 1 millimeter and have this measurement available when ordering. Color code.