

## Cylinder 3701

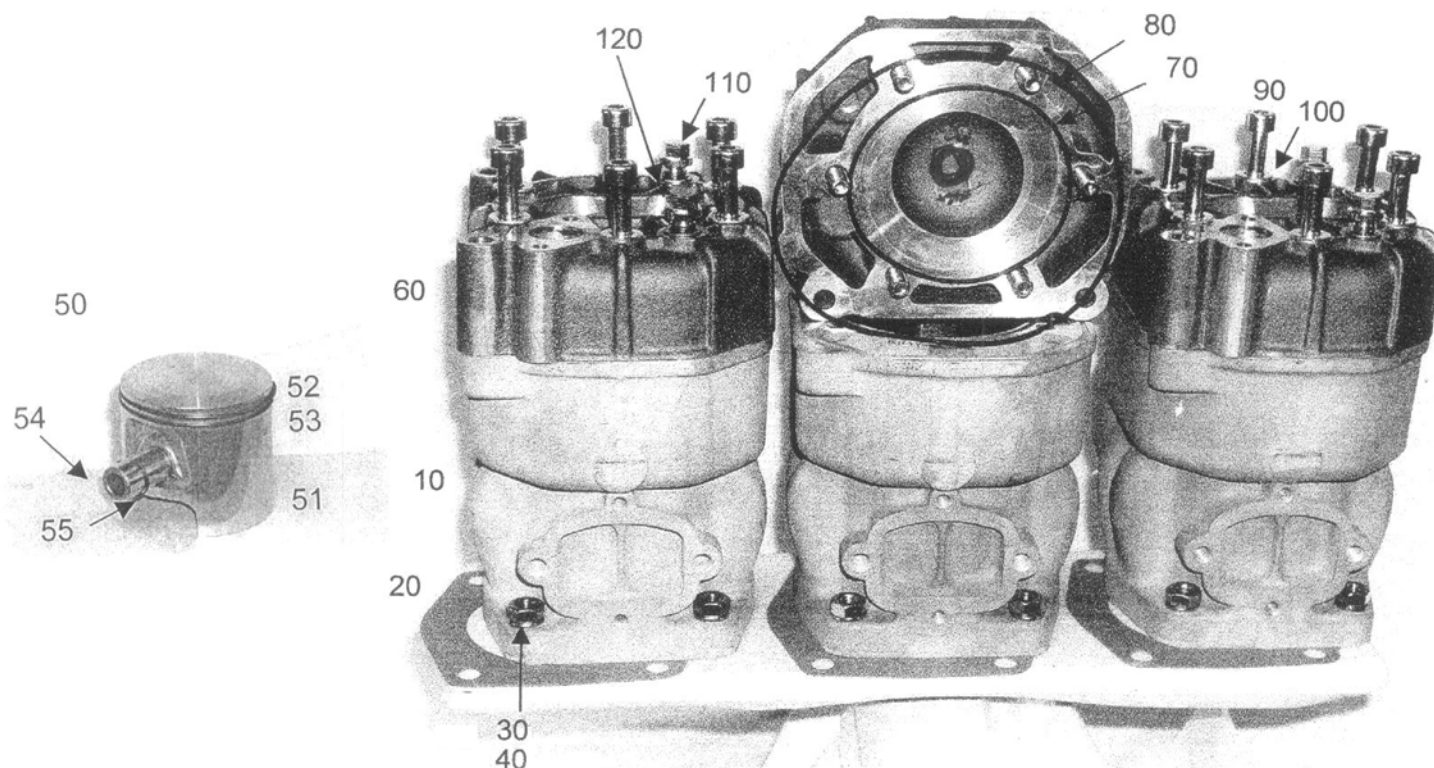


Fig. No.	Quant. No.	Designation	Part. No.	Neoteric Part No	Remark note
10	3	Cylinder	352 A1	<b>6090</b>	
20	3	Cylinder base gasket	322 A4	<b>5545</b>	
30	12	Hexagon head nut	DIN 934 M8	<b>6233</b>	
40	12	Washer	322 A5	<b>6234</b>	
50	3	Piston set	014.81	<b>6379</b>	Only allowance group „B“ Contains Pos. 51-55
51	1	Piston	014.81/0	<b>7210</b>	
52	1	Piston ring	014.77/1	<b>5452</b>	
53	1	Piston ring	014.74/1	<b>5451</b>	
54	1	Piston pin	014.77/4	<b>5972</b>	
55	2	circlip	014.72/5	<b>6301</b>	
60	3	Cylinder head	372	<b>6089</b>	Specify Single Ignition
70	3	O-Ring	056.2/15	<b>5892</b>	
80	3	O-Ring	056.2/16	<b>5893</b>	
90	18	Cylinder screw	DIN 912 M8x65	<b>6408</b>	
100	18	Washer	DIN 125 B8,4	<b>6407</b>	
110	6	Locking screw	DIN 910 M10x1	<b>6409</b>	
120	6	Sealing ring	DIN 7603- A10x14x1	<b>6410</b>	