

Start Device 3701

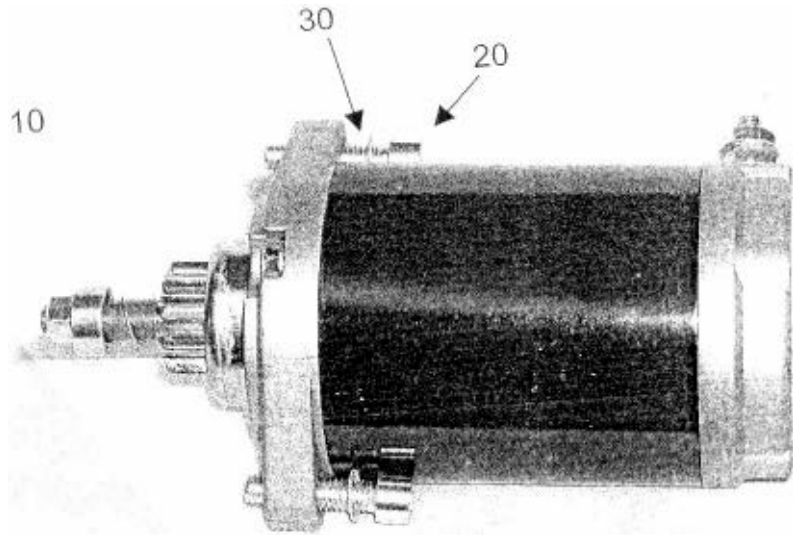


Fig. No.	Quant. No.	Designation	Part. No.	Neoteric Part No	Remark note
10	1	Electric starter	028.14	6498	
20	2	Cylinder screw	275 L1	2348	
30	2	Serrated lock washer	053.8/8	5995	

Form 17699