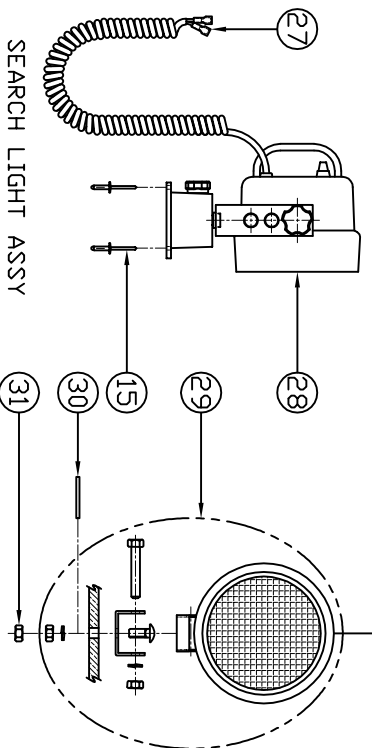
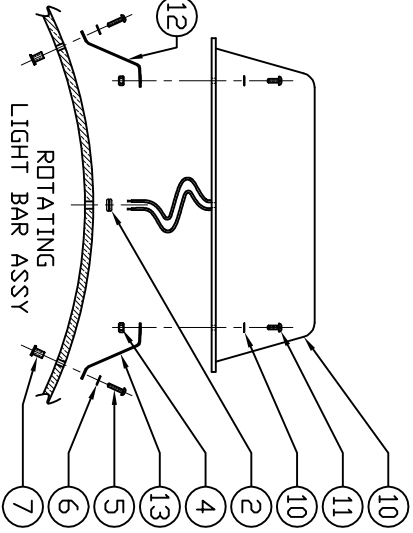
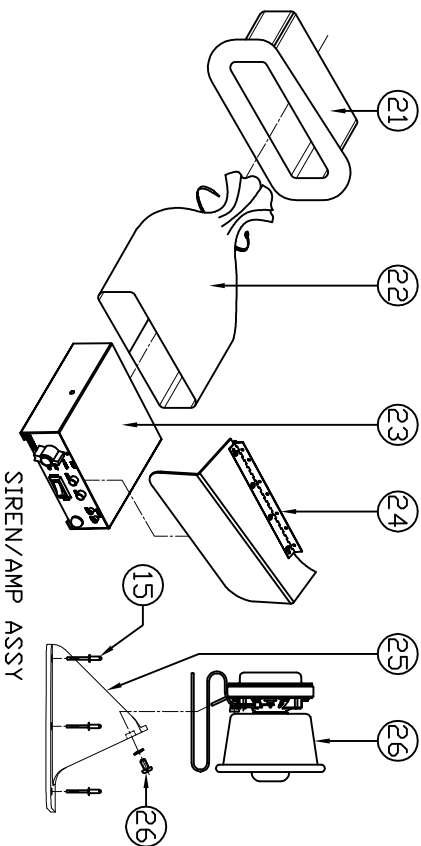
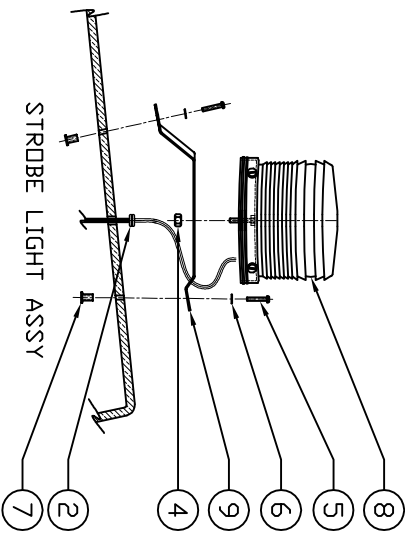
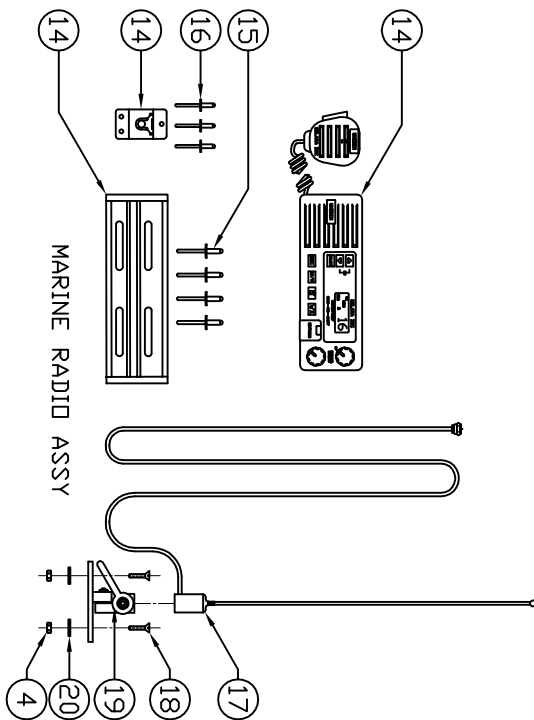
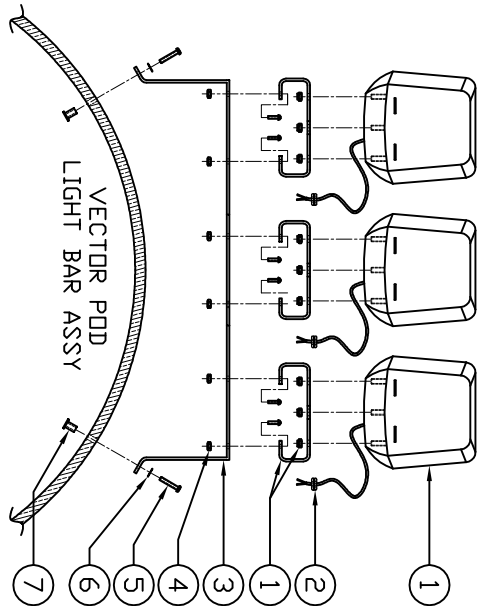


BILL OF MATERIAL

REF.	PART #	DESCRIPTION
1	5244	VIEWPOINT POD, BLUE
1	5392	VIEWPOINT POD, RED
1	5393	VIEWPOINT POD, AMBER
1	5643	VIEWPOINT POD, WHITE
2	2102	RUBBER GROMMET
3	5701	VIEWPOINT POD MOUNT
4	2333	NUT
5	2437	SCREW
6	2362	WASHER
7	2551	WELL NUT
8	6630	STROBE LIGHT, BLUE
8	6631	STROBE LIGHT, RED
8	6632	STROBE LIGHT, WHITE
9	6448	STROBE LIGHT MOUNT
10	1249	MINI-BAR, RED/BLUE
10	1252	MINI-BAR, AMBER
10	3379	MINI-BAR, BLUE
10	3426	MINI-BAR, RED
11	2343	SCREW
12	5765	MINI-BAR MOUNT, PORT
13	5766	MINI-BAR MOUNT, STARBOARD
14	3514	MARINE RADIO ASSEMBLY
15	2185	PDP RIVET
16	2160	PDP RIVET
17	3515	LDW PROFILE ANTENNA
18	2388	SCREW
19	3523	LDW PROFILE ANTENNA MOUNT
20	2353	WASHER
21	3528	SIREN, SUPPORT
22	1836	SPLASH BAG ASSY
23	3554	SIREN
24	1833	SIREN COVER ASSY
25	3526	SPEAKER, MOUNT
26	1636	SPEAKER
27	2199	TERM. FITTING
28	5691	SEARCH LIGHT
29	5676	WORK LAMP
30	2474	WASHER
31	2451	NUT



Neoteric Hovercraft Inc.
 1640 TIBBERCANON STREET
 TERRE HAUTE INDIANA 47807-2994
 TELEPHONE (812) 234-1120 FAX (812) 234-3817

DRAWN: C. STEIMEL
 NAME: HI ACCESSORY AND RESCUE COMPONENTS
 DATE: 10 AUG, 2009
 NUMBER: 177745