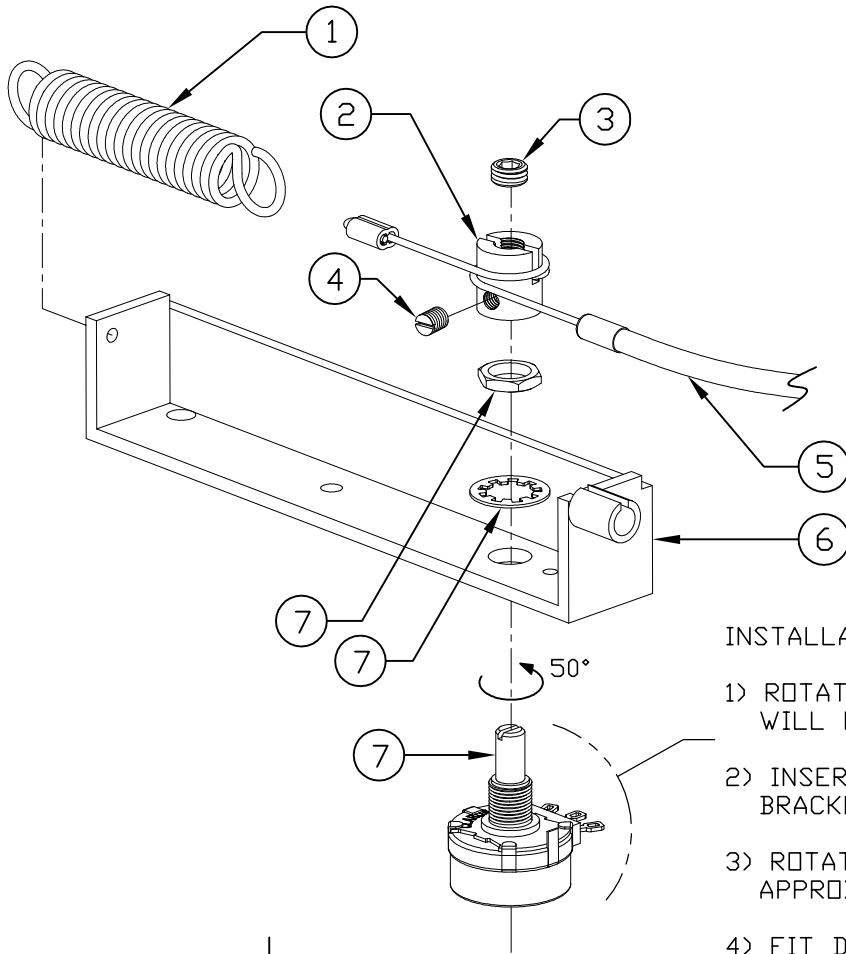


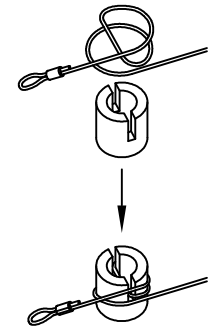
BILL OF MATERIAL		
REF.	PART NO.	DESCRIPTION
1	2419	POTENTIOMETER CONTROL SPRING
2	3772	POTENTIOMETER CABLE DRUM
3	2464	HOLLOW SET SCREW
4	2465	POINT SET SCREW
5	3954	POTENTIOMETER CONTOL CABLE, SXS
5	3520	POTENTIOMETER CONTOL CABLE, INLINE
6	3703	POTENTIOMETER CONTROL BRACKET ASSY
7	2970	POTENTIOMETER, 312 DEG
8	2397	SCREW
9	2070	WASHER
10	2333	NUT
11	2398	SCREW
12	2333	WASHER



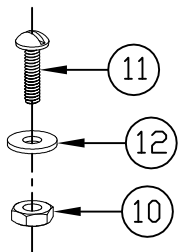
INSTALLATION NOTE:

- 1) ROTATE CLOCKWISE UNTIL DIAL WILL NO LONGER TURN
- 2) INSERT POTENTIOMETER INTO BRACKET AS SHOWN
- 3) ROTATE DIAL COUNTER-CLOCKWISE APPROX 50°
- 4) FIT DRUM WITH SLOT PARALLEL TO LONG SIDES OF BRACKET

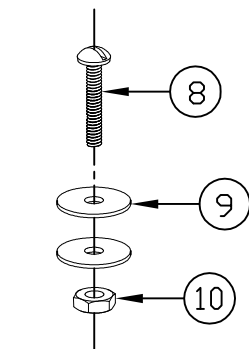
CABLE / DRUM INSTALLATION



THE CONTROL CABLE SHOULD BE INSTALLED ONTO THE DRUM AS SHOWN ABOVE




INLINE MOUNTING HARDWARE



SxS MOUNTING HARDWARE

POTENTIOMETER WIRING NOT SHOWN ON THIS FORM. SEE FORM 17103 FOR POTENTIOMETER WIRING.

	
<small>1649 TIPPECANOE STREET TERRE HAUTE, INDIANA, U.S.A. 47807-2394 TELEPHONE (812) 234-1120 FAX (812) 234-3217</small>	
DRAWN: C. STEIMEL	NAME: POTENTIOMETER CONTROL ASSY
DATE: 15 JULY, 2009	FORM: 17720