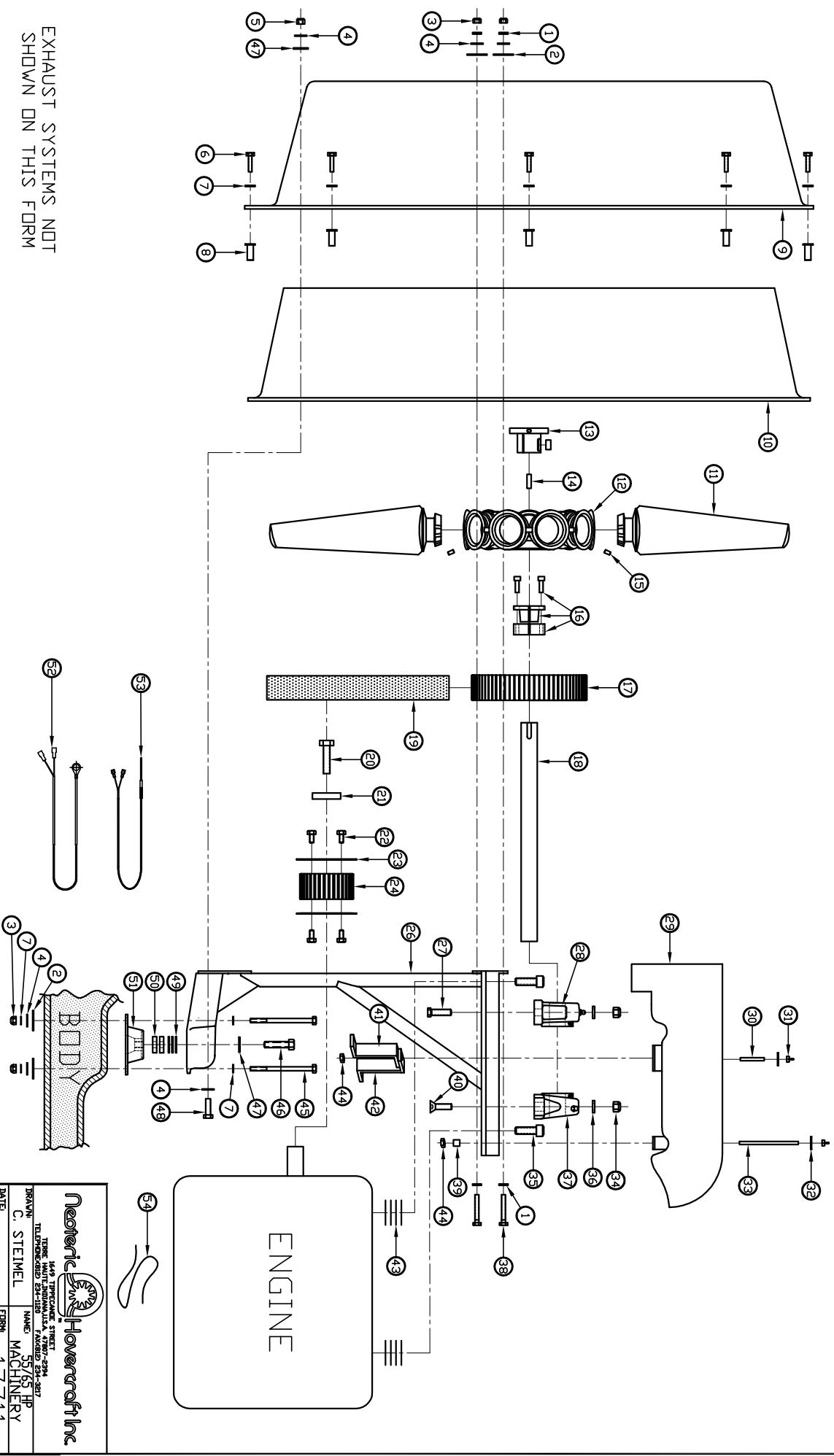


REF. PART #	DESCRIPTION	REF. PART #	DESCRIPTION	REF. PART #	DESCRIPTION	REF. PART #	DESCRIPTION
1	WASHER	18	HT4 FAN SHAFT	32	3287 FENDER WASHER	47	2474 WASHER
2	2360 WASHER	19	16365 HT4 POLY CHAIN BELT	33	5226 SPINNER BOLT LONG	48	2238 BOLT
3	2394 NUT	19	1870 HT4 POLY GRIP BELT	34	2468 NUT	49	2473 WASHER
4	2746 WASHER	20	2411 BOLT	35	2413 CAP SCREW, SOCKET HD	50	1893 PLASTIC SHIM VIBRATION MOUNT
5	2740 LOCK NUT	21	3987 SPROCKET WASHER	36	2389 WASHER, EXTRA THICK	51	1519 VIBRATION MOUNT
6	2284 BOLT	22	2230 BOLT	37	5907 PILLOW BLOCK BEARING	52	5329 CHT SENDER
7	2070 WASHER	23	5385 HT LOWER SPROCKET FLANGE	38	2274 BOLT	53	5330 EGT SENSOR
8	5604 RIVET NUT	24	3894 HT POLY CHAIN 34 TOOTH SPROCKET	39	5223 HT4 SPINNER, FRONT CLAMP PLATE	54	3023 SAFETY WIRE
9	3894 HT THRUST FLANGE	24	5406 HT4 POLY GRIP 34 TOOTH SPROCKET	40	2415 CAP SCREW, FLAT SOCKET		
10	1900 HT4 INTAKE BELL	26	5501 ENGINE MOUNT, 65HP CARB. PORT	41	3999 HT4 SPINNER, STARBARD LEG MOUNT		
11	6137 HT4 FAN BLADE	26	3386 ENGINE MOUNT, 55/65HP PORT CARB.	42	3998 HT4 SPINNER, PORT LEG MOUNT		
12	6132 HT4 9-BLADE HUB	26	5404 ENGINE MOUNT, 55/65HP CARB. STARBARD	43	2305 SHIM		
13	5727 TAPER LOCK BUSHING	27	2272 BOLT	43	2762 SHIM		
14	6572 HT4 FAN SHAFT KEY	28	1923 PILLOW BLOCK BEARING	43	2761 SHIM		
15	1570 FAN PIN	29	5222 HT4 SPINNER	44	2760 SHIM		
16	1924 LOCK BUSHING	29	5222 HT4 SPINNER	44	2451 NUT		
17	6363 HT4 72-TOOTH SPROCKET	30	3513 HT4 SPINNER BOLT, SHORT	45	2471 SCREW		
17	5663 HT4 POLY GRIP 72-TOOTH SPROCKET	31	3661 WING NUT	46	2475 BOLT		

PARTS LIST



EXHAUST SYSTEMS NOT SHOWN ON THIS FORM

Neoteric Hovercraft Inc.
 14400 W. 14TH AVENUE, SUITE 100, DENVER, CO 80202
 TEL: 303.751.1100 FAX: 303.751.1101
 WWW.NEOTERICHOVERCRAFT.COM
 C. STEIMEL
 55/65 HP
 MACHINERY
 DATE: 21 JULY, 2009
 FORM: 17711