

Ignition lighting system single ignition 2703

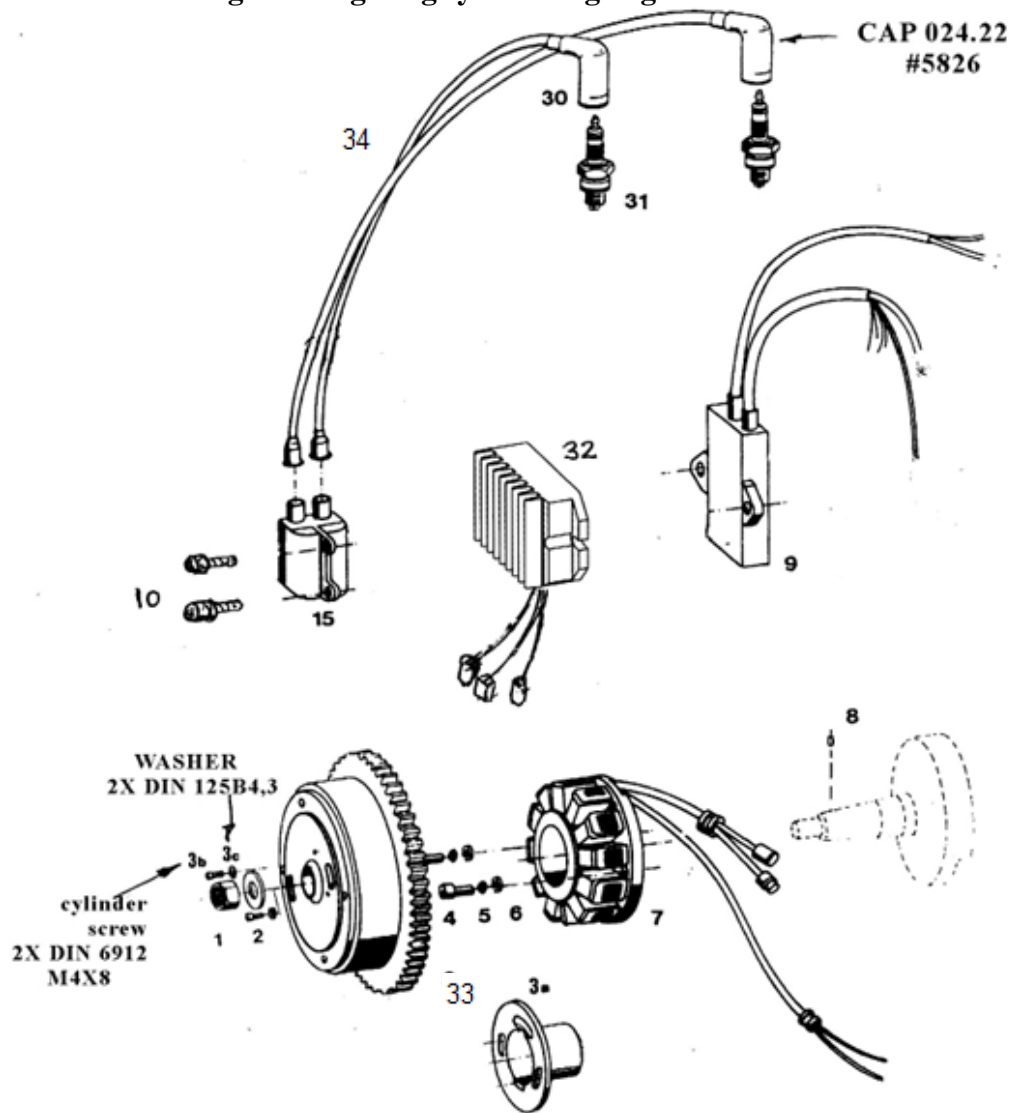


Fig. No.	Qty.	Designation	Part No.	Neoteric Part No	Remark
1	1	Hexagon head nut	DIN 985 M16x1,5	6939	Md=140-150 Nm
2	1	Washer	161 A6		
3	1	Flywheel with gear ring	021.43/2		
4	2	Cylinder screw	DIN 912 M5x20		
5	4	Washer	212 A5	5994	
6	1	Washer	DIN 125 B5,3	6936	Md=4-4,5 Nm
7	1	Stator plate complete	021.43/1	5591	
8	1	Flywheel alignment pin	DIN 7 4m6x6		
9	1	CDI - Box	021.43/6	5664	Mounted with silicone
10	2	Coil Mounting Screw	M6XP1X12 SHC SS	2469	Included in item 15
15	2	Ignition coil	021.41/3/2	5682	
30	2	Ignition cable, complete	274 BA10U	5827	
31	1	Spark plug Denso	023.29	5668	W24 FSR - U10
32	1	VAPE R82 DC Regulator 14V	029.8	5338	5641
33		Magnet Support	021.41/20	5724	
34	1	Spark plug lead, short		5666	
34	1	Spark plug lead, long		5665	
34	1	Spark Plug lead set		5661	Includes plug boots