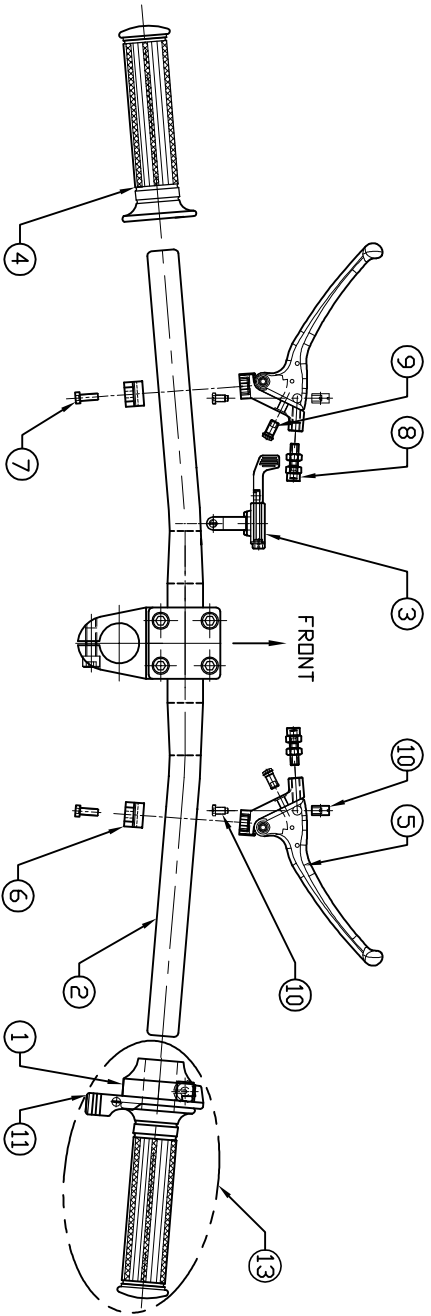
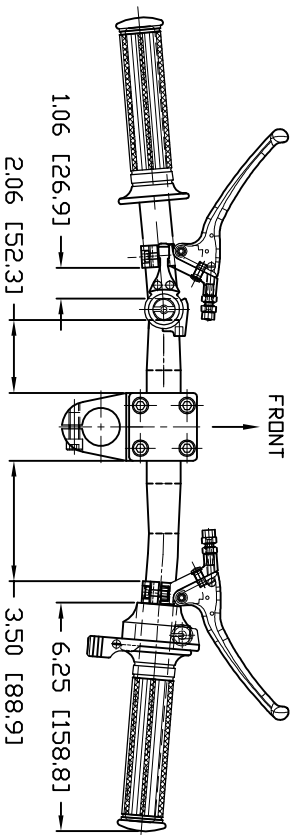
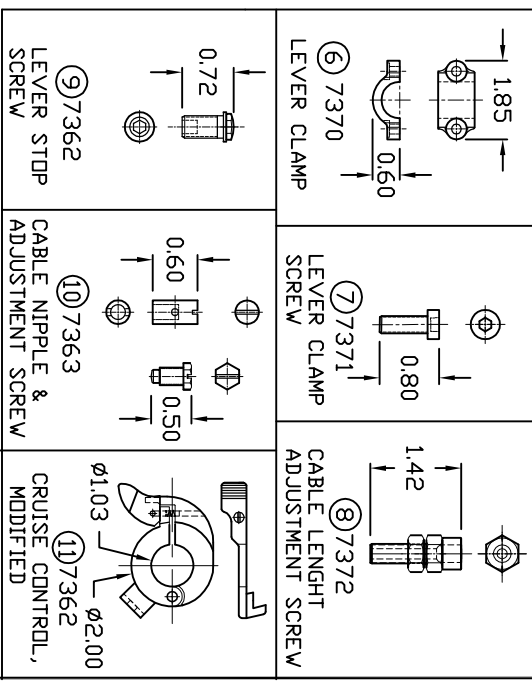


\* ATTENTION: ALL CRAFT MANUFACTURED AFTER APRIL, 2012 ARE EQUIPPED WITH 309 SERIES CONTROLS AS SHOWN HERE.



BILL OF MATERIAL		REF. PART #	DESCRIPTION	QTY.
1	7364	PLASTIC SINGLE CABLE THROTTLE	1	
2	3735	HANDLEBAR ASSEMBLY	1	
3	7348	CHOKE	1	
4	3492	GRIP PORT	1	
5	7369	REVERSE THRUST CONTROL LEVER	2	
6	7370	REVERSE THRUST CONTROL LEVER CLAMP	2	
7	7371	CONTROL LEVER CLAMP SCREW	4	
8	7372	CABLE LENGTH ADJUSTER SCREW	2	
9	7362	CONTROL LEVER STOP SCREW	2	
10	7363	CABLE NIPPLE & ADJUSTMENT SCREW	2	
11	7454	CRUISE CONTROL	1	
12	7397	THROTTLE STOP	1	
13	7453	THROTTLE ASSEMBLY	1	





NOTES:

- 1) THE CHOKE IS ONLY NEEDED IF YOU HAVE THE 55/65HP CARBURETED ENGINE.
- 2) CHOKE LOCATION DIMENSIONS ARE FROM CHOKE MOUNTING BRACKET EDGE.
- 3) THROTTLE & CRUISE CONTROL ARE ASSEMBLED WITH THROTTLE STOP.
- 4) PLACE GRIPS TO BOTTOM OUT. CHECK THROTTLE GRIP DOES NOT ADD FRICTION TO THE THROTTLE OPERATION.
- 5) REVERSE CONTROL LEVERS ARE TURNED 20° DOWN FROM THE HORIZONTAL.

ALL DIMENSIONS IN IN AND (mm)  
TOLERANCE UNLESS OTHERWISE SPECIFIED:  
XXX ± 0.03 [0.761]

# REQUIRED:	CHECKED:
SCALE:	
FINISH:	WEIGHT:

1440 TIBERGARDEN STREET  
 TERRE HAUTE INDIANA 47787-2994  
 TELEPHONE (812) 234-1120 FAX (812) 234-3217

DRAWN:	NAME:
CJ POEHLER	309 HANDLEBAR CONTROLS
DATE:	NUMBER:
11 DEC, 2012	17358
	REV:
	2