

Cylinder single ignition

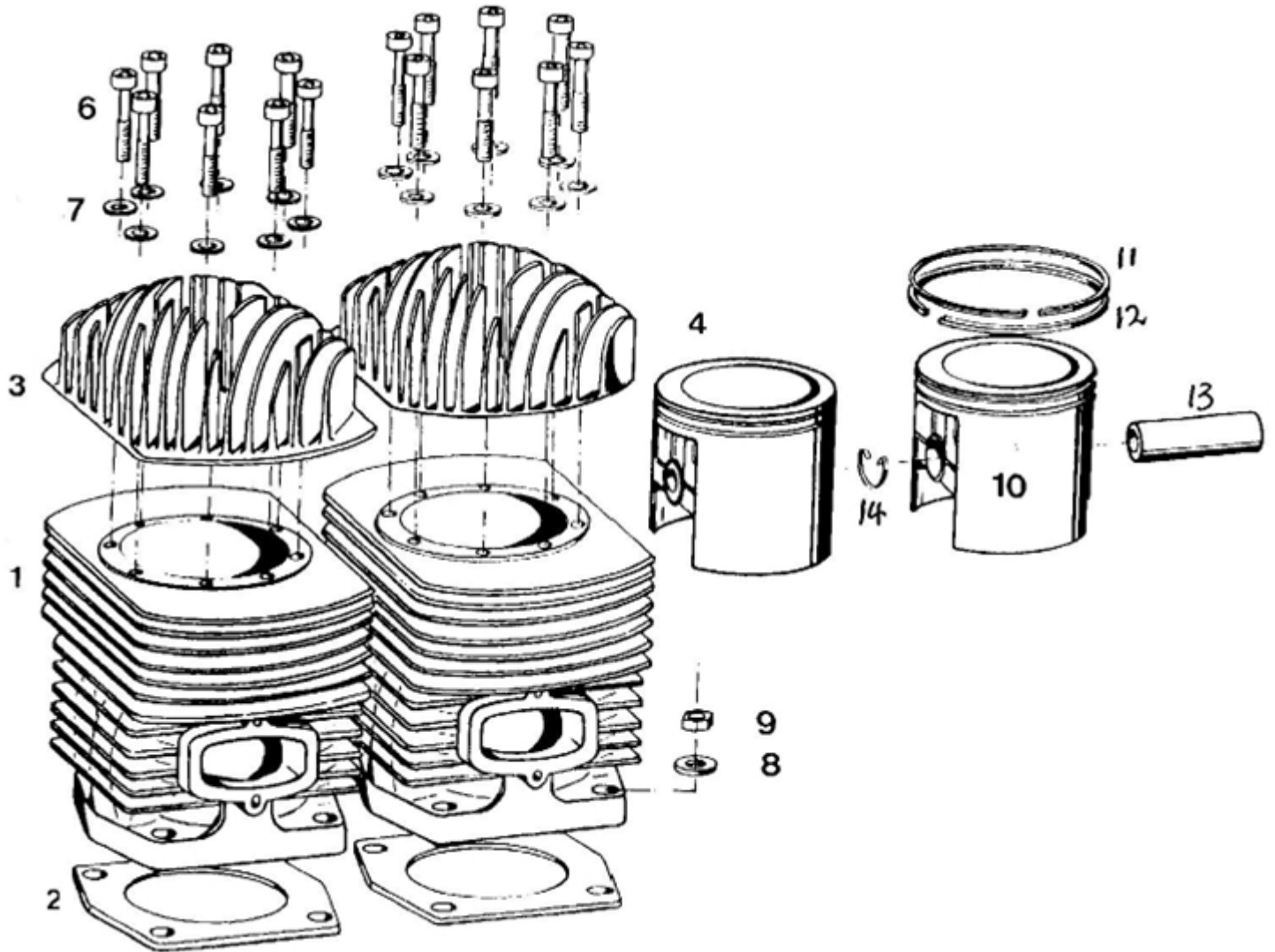


Fig. No.	Quart.	Designation	Part No.	Neoteric Part No	Remark
1	2	Cylinder	322 A1		Can be substitute for 322E1
1	2	Cylinder	322 E1	6099	Motor 3203
2	2	Cylinder base gasket	322 A4	5455	
3	1	Cylinder head	322 B2	5457	3203
4	1	Cylinder head	322 H3	5458	3203
4	2	Cylinder head	F332E2		free air
6	16	Cylinder screw	DIN 912 M6x35 12.9	6322	Md = 23-28 Nm
7	16	Washer	212 AS	5994	
8	8	Washer	322 A5	6234	
9	8	Hexagon head nut	DIN 934 M8	6233	Md = 9,6-11 Nm
10	2	Piston set *	014.81	5450	
11	*	Keystone ring(top)	014.7711	5452	
12		Piston ring (down)	014.74/1	5451	
13		Piston pin	014.77/4	5972	
14		Retaining ring (cir clip)	014.72/5	6301	