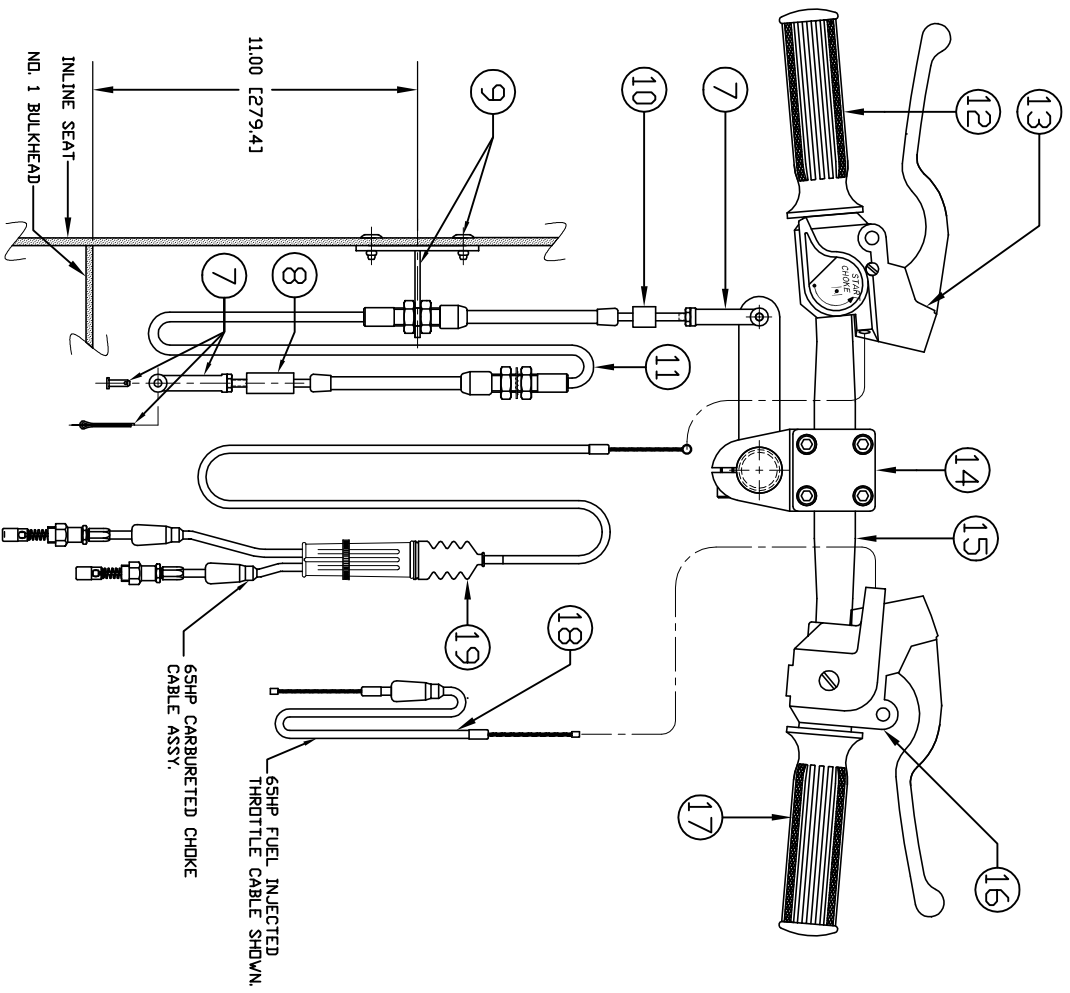
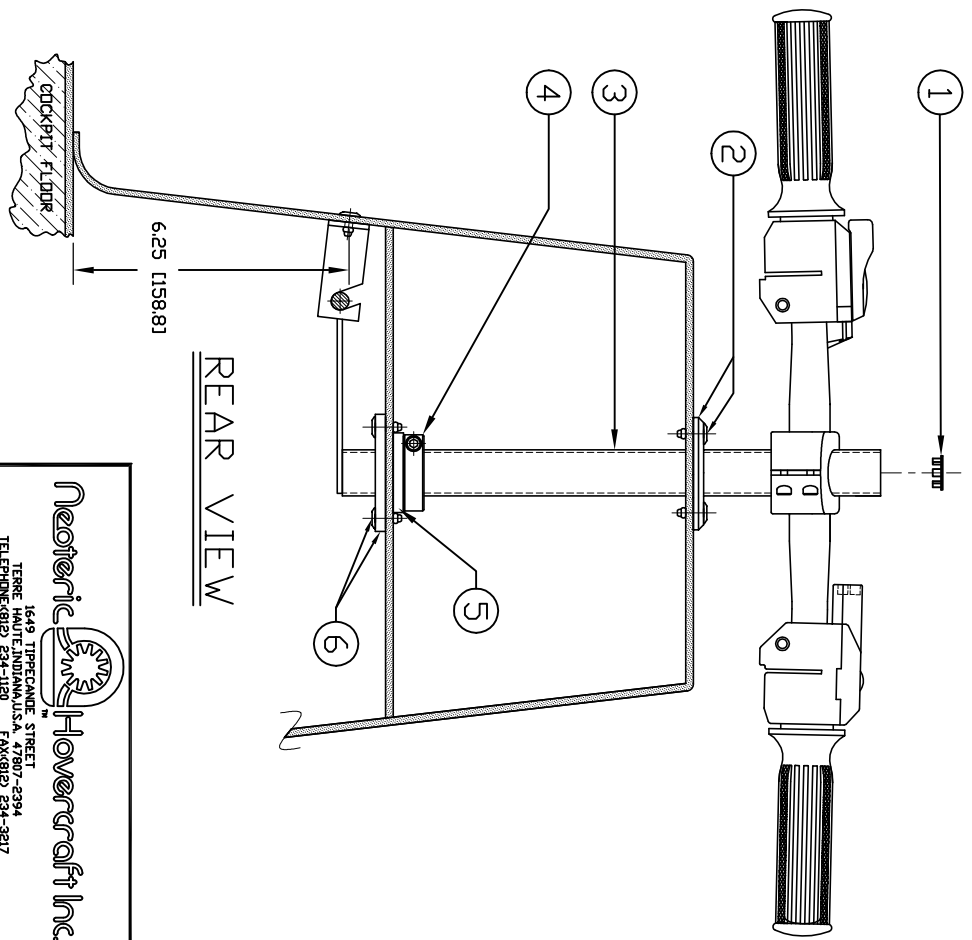



REF.	PART NO.	DESCRIPTION	REF.	PART NO.	DESCRIPTION	REF.	PART NO.	DESCRIPTION
1	3728	END CAP	12	3492	REPLACEMENT PURT GRIP	18	5224	65HP FUEL INJECTED, THROTTLE CABLE
2	5825	UPPER STEERING COLUMN BEARING, KIT	13	3491	CLUTCH CONTROLLER	18	5775	100HP FUEL INJECTED, THROTTLE CABLE
3	3925	HT STEERING COLUMN ASSY	14	6539	HT HANDLEBAR CLAMP	18	5510	55/65HP, OIL INJECTOR CABLE
4	3587	SHAFT COLLAR	15	1920	HL HANDLEBAR	19	5531	55HP CARBURETED, CHOKE CABLE ASSY.
5	3731	STEERING COLUMN WASHER	16	3490	THROTTLE CONTROLLER	19	5413	65HP CARBURETED, CHOKE CABLE ASSY.
6	3833	LOWER STEERING COLUMN BEARING, KIT	17	6617	REPLACEMENT THROTTLE GRIP			
7	5829	CLEVIS ASSY	18	5523	55HP CARBURETED, THROTTLE CABLE FRONT			
8	3805	RUDDER CABLE STOP, REAR	18	5522	55HP CARBURETED, THROTTLE CABLE REAR			
9	3834	FORWARD CABLE MOUNT KIT	18	5565	55HP OIL INJECTED, THROTTLE CABLE ASSY			
10	3804	RUDDER CABLE STOP, FORWARD	18	5412	65HP CARBURETED, THROTTLE CABLE FRONT			
11	3644	HT4 RUDDER CABLE	18	5411	65HP CARBURETED, THROTTLE CABLE REAR			
	5640	HT6 RUDDER CABLE	18	5571	65HP OIL INJECTED, THROTTLE CABLE ASSY			



TOP VIEW



REAR VIEW



Neoteric Hovercraft Inc.
 1440 TIBBICAUNE STREET
 TERRE HAUTE INDIANA 47807-2994
 TELEPHONE (812) 234-1120 FAX (812) 234-3217

DRAWN: M. ROSEBRAUGH
 NAME: INLINE CONTROLS
 DATE: 8 JULY, 2009
 FIRM: 17109